



US00D909703S

(12) **United States Design Patent**
Heinzmann et al.

(10) **Patent No.:** **US D909,703 S**

(45) **Date of Patent:** **** Feb. 2, 2021**

- (54) **PALLET** 5,667,065 A * 9/1997 Fahrion B65D 19/004
108/53.1
- (71) Applicant: **Big 3 Precision Products, Inc.,** 6,234,087 B1 * 5/2001 Brown B65D 19/0034
Centralia, IL (US) 108/55.1
- (72) Inventors: **Roger Heinzmann,** Walnut Hill, IL 7,908,980 B2 * 3/2011 Schmidt B65D 77/0466
(US); **Alan Scheidt,** Troy, IL (US); **Joe** 108/57.25
Biagi, Centralia, FL (US) D887,665 S * 6/2020 Peng D34/38
D895,924 S * 9/2020 Heinzmann D34/38
- (73) Assignee: **BIG 3 PRECISION PRODUCTS,** 2009/0263228 A1 * 10/2009 Tygard B65D 19/38
INC., Centralia, IL (US) 414/800
2012/0125802 A1 * 5/2012 Rayner B65D 19/0065
206/524.6
- (**) Term: **15 Years** 2019/0092523 A1 * 3/2019 Wu B27N 5/00
2020/0062447 A1 * 2/2020 Ness B65D 19/10

* cited by examiner

(21) Appl. No.: **29/745,392**

(22) Filed: **Aug. 5, 2020**

Related U.S. Application Data

(63) Continuation of application No. 29/728,029, filed on Mar. 16, 2020, now Pat. No. Des. 895,924.

(51) **LOC (13) Cl.** **09-08**

(52) **U.S. Cl.** **D34/38**

(58) **Field of Classification Search**

USPC D34/38; D3/307

CPC B65D 2519/00323; B65D 2519/00293;

B65D 2519/00333; B65D 2519/00273;

B65D 2519/00572; B65D 2519/00338;

B65D 2519/00288; B65D 2519/0094;

B65D 2519/00069; B65D 2519/00318

See application file for complete search history.

(56) **References Cited**

U.S. PATENT DOCUMENTS

4,226,192 A * 10/1980 Myers B65D 19/0018

108/53.1

4,674,414 A * 6/1987 Nulle B65D 19/004

108/53.3

Primary Examiner — Cynthia Ramirez

(74) *Attorney, Agent, or Firm* — Eric B. Fugett; Mark A. Pitchford; Pitchford Fugett, PLLC

(57) **CLAIM**

The ornamental design for a pallet, as shown and described.

DESCRIPTION

FIG. 1 is an elevated perspective view of a pallet showing Applicant's invention.

FIG. 2 is a depressed perspective view of the pallet of FIG. 1.

FIG. 3 is a top plan view of the pallet of FIG. 1.

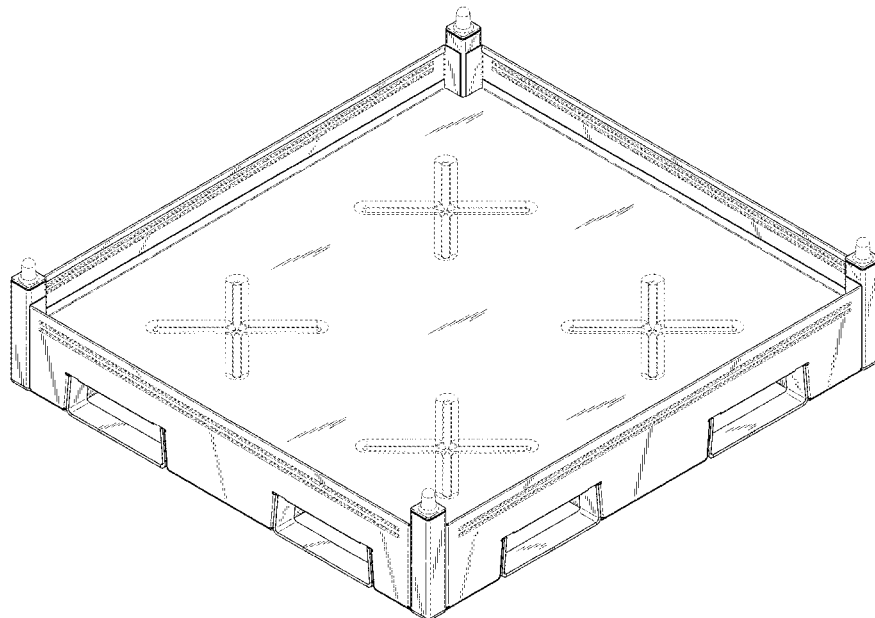
FIG. 4 is front side elevational view of the pallet of FIG. 1, the back side being a mirror image thereof.

FIG. 5 is bottom plan view of the pallet of FIG. 1; and,

FIG. 6 is a left side elevational view of the pallet of FIG. 1, the right side being a mirror image thereof.

The broken lines in the figures depict portions of the pallet that form no part of the claimed design.

1 Claim, 4 Drawing Sheets



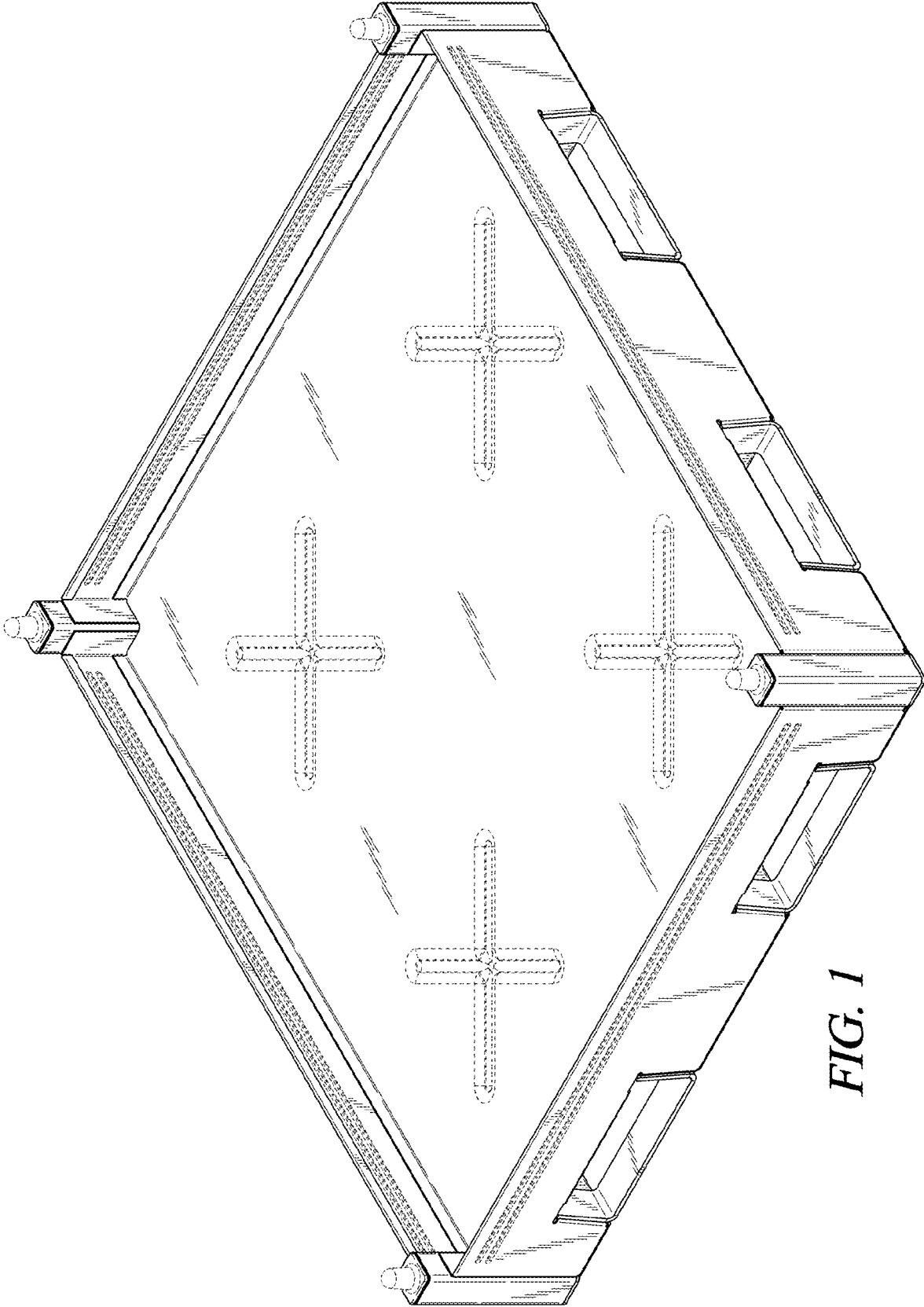


FIG. 1

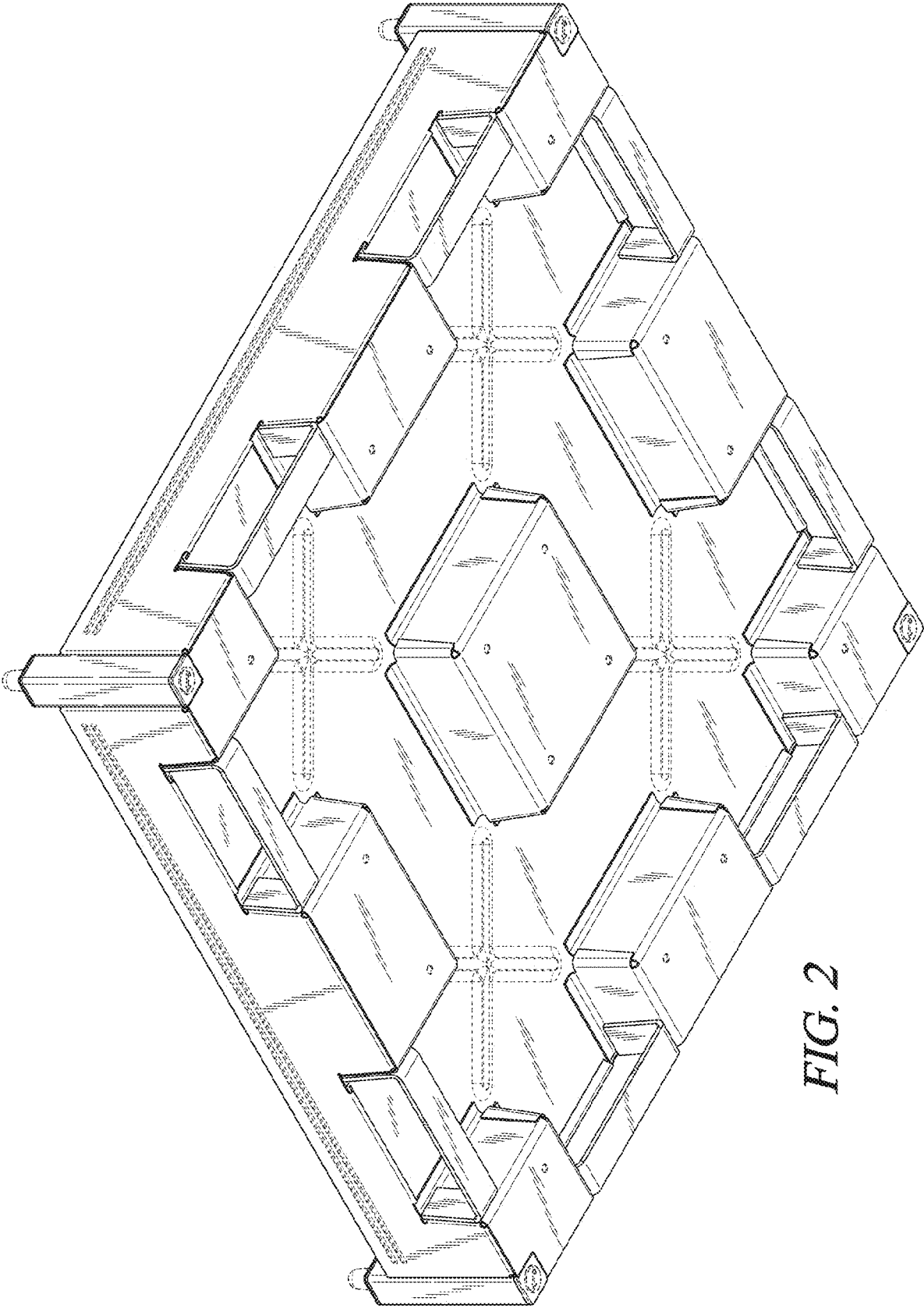


FIG. 2

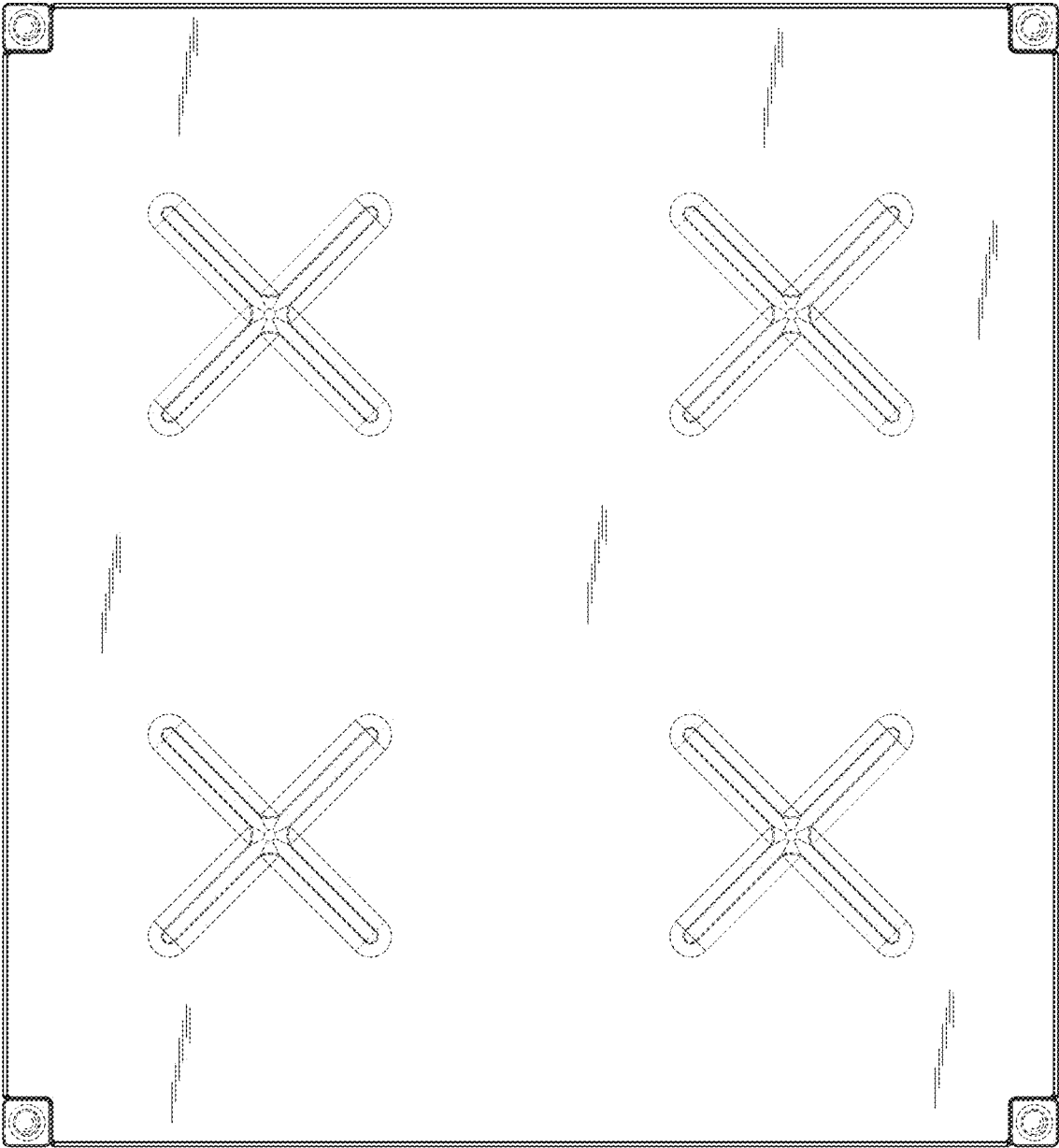


FIG. 3

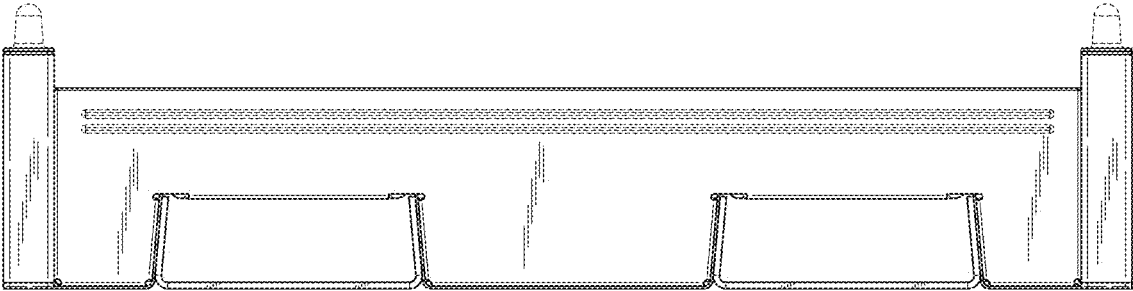


FIG. 4

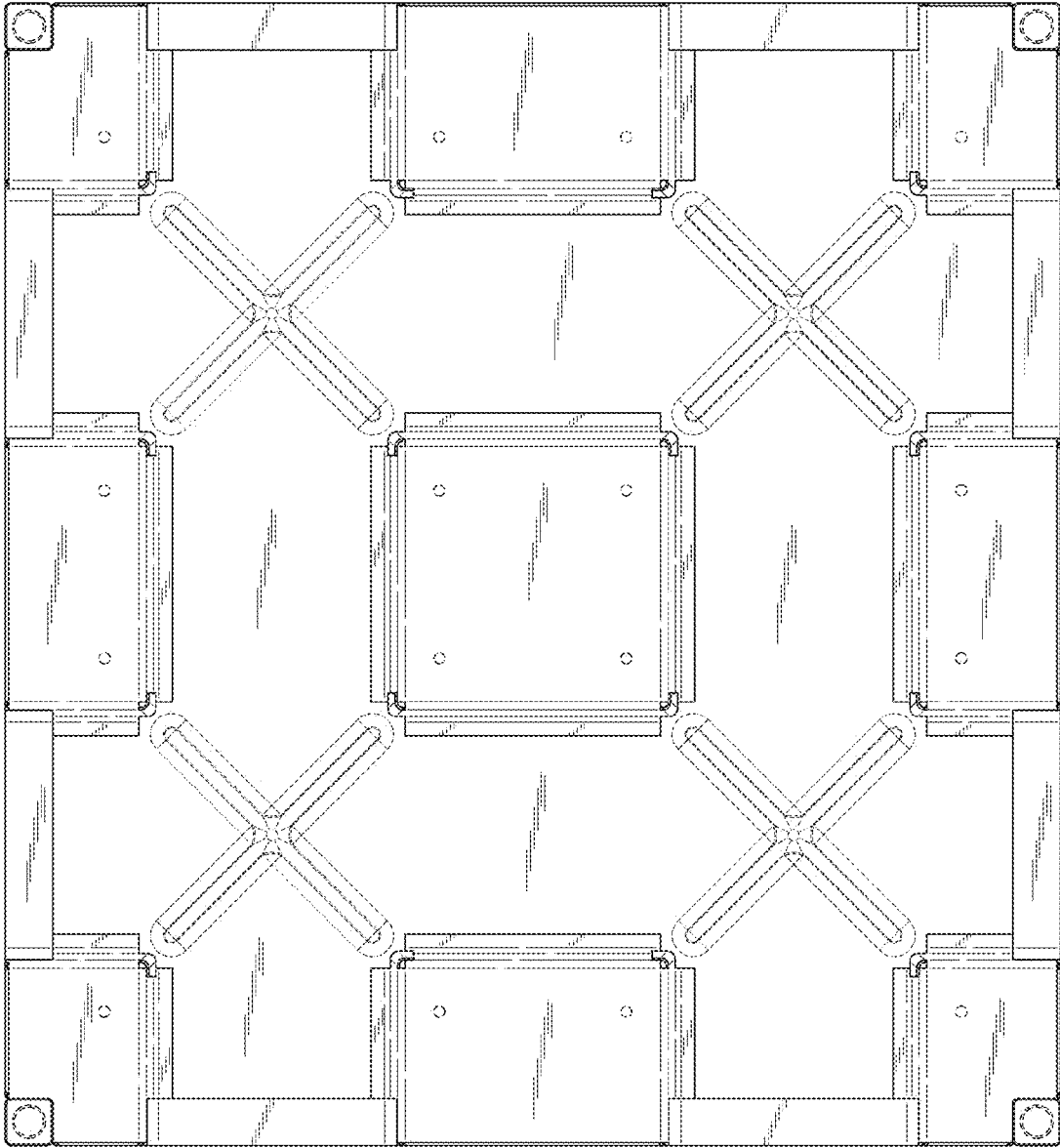


FIG. 5

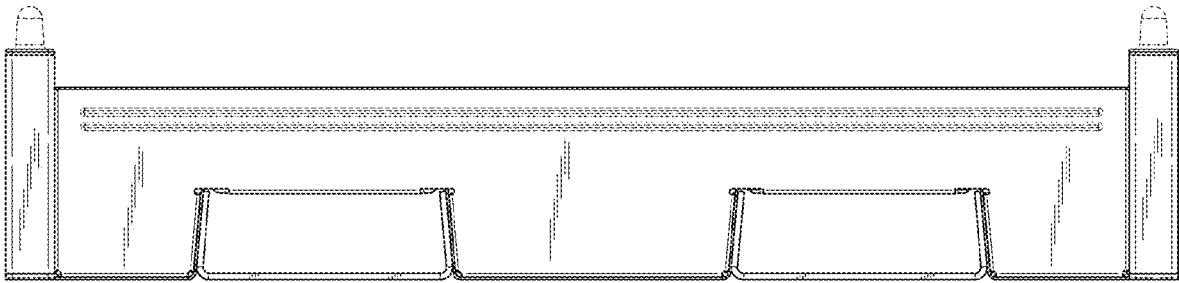


FIG. 6