



US00D919924S

(12) **United States Design Patent**
Heinzmann et al.

(10) **Patent No.:** **US D919,924 S**
(45) **Date of Patent:** **** May 18, 2021**

(54) PALLET	4,674,414 A	6/1987	Nulle	B65D 1/0018 108/53.3
(71) Applicant: Big 3 Precision Products, Inc., Centralia, IL (US)	5,094,175 A 5,667,065 A	3/1992 9/1997	Christie Fahrion	B65D 19/004 108/53.1
(72) Inventors: Roger Heinzmann, Walnut Hill, IL (US); Alan Scheidt, Troy, IL (US); Joe Biagi, Centralia, IL (US)	D404,179 S 6,234,087 B1	1/1999 5/2001	Apps et al. Brown	B65D 19/034 108/55.1
(73) Assignee: BIG 3 PRECISION PRODUCTS, INC., Centralia, IL (US)	D464,186 S 7,908,980 B2	10/2002 3/2011	Medoff et al. Schmidt	B65D 77/0466 108/57.25
(**) Term: 15 Years	9,487,326 B2 9,487,329 B2 9,580,237 B2 D825,882 S 10,301,068 B2 10,457,444 B2 D887,665 S	11/2016 11/2016 2/2017 8/2018 5/2019 10/2019 6/2020	Banik et al. Balazs et al. Nolan et al. Thompson Nottestad et al. Banik et al. Peng	
(21) Appl. No.: 29/764,914				
(22) Filed: Jan. 4, 2021				

Related U.S. Application Data

(63) Continuation of application No. 29/745,392, filed on Aug. 5, 2020, now Pat. No. Des. 909,703, which is a continuation of application No. 29/728,029, filed on Mar. 16, 2020, now Pat. No. Des. 895,924.

(51) **LOC (13) Cl.** **09-08**
(52) **U.S. Cl.**
USPC **D34/38**

(58) **Field of Classification Search**
USPC D34/38; D3/307
CPC B65D 2519/00323; B65D 2519/00293;
B65D 2519/00333; B65D 2519/00273;
B65D 2519/00572; B65D 2519/00338;
B65D 2519/00288; B65D 2519/0094;
B65D 2519/00069; B65D 2519/00318
See application file for complete search history.

(56) **References Cited**

U.S. PATENT DOCUMENTS

4,226,192 A	10/1980	Myers	B65D 1/0018 108/53.1
D258,948 S	4/1981	Stump	

Primary Examiner — Cynthia Ramirez

(74) *Attorney, Agent, or Firm* — Eric B. Fugett; Mark A. Pitchford; Pitchford Fugett, PLLC

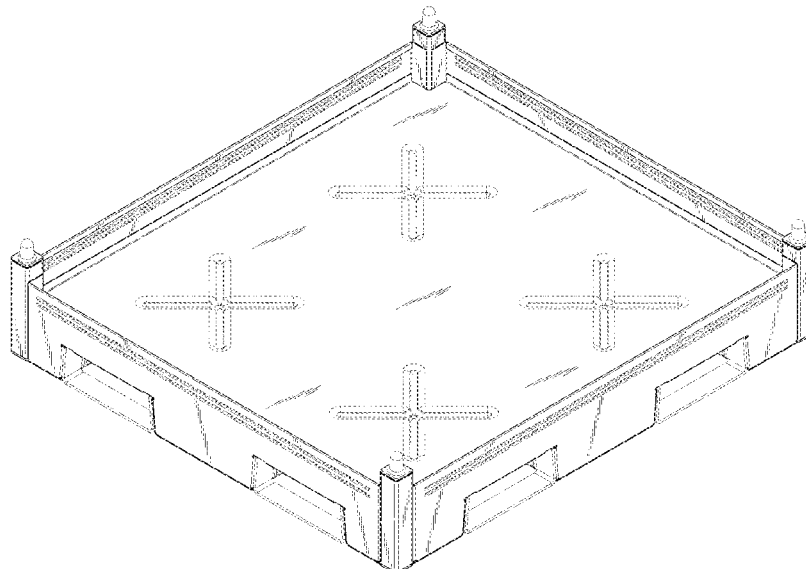
(57) **CLAIM**

The ornamental design for a pallet, as shown and described.

DESCRIPTION

FIG. 1 is an elevated perspective view of a pallet showing Applicant's invention.
FIG. 2 is a depressed perspective view of the pallet of FIG. 1.
FIG. 3 is a top plan view of the pallet of FIG. 1.
FIG. 4 is front side elevational view of the pallet of FIG. 1, the back side being a mirror image thereof.
FIG. 5 is bottom plan view of the pallet of FIG. 1; and, FIG. 6 is a left side elevational view of the pallet of FIG. 1, the right side being a mirror image thereof.
The broken lines in the figures depict portions of the pallet that form no part of the claimed design.

1 Claim, 4 Drawing Sheets



(56)

References Cited

U.S. PATENT DOCUMENTS

D895,924 S	9/2020	Heinzmann	D34/38
D909,703 S *	2/2021	Heinzmann	B65D 19/0028
			D34/38
2009/0263228 A1	10/2009	Tygard	B65D 19/38
			414/800
2012/0125802 A1	5/2012	Rayner	B65D 19/0065
			206/524.6
2019/0092523 A1	3/2019	Wu	B27N 5/00
2020/0062447 A1	2/2020	Ness	B65D 19/10

* cited by examiner

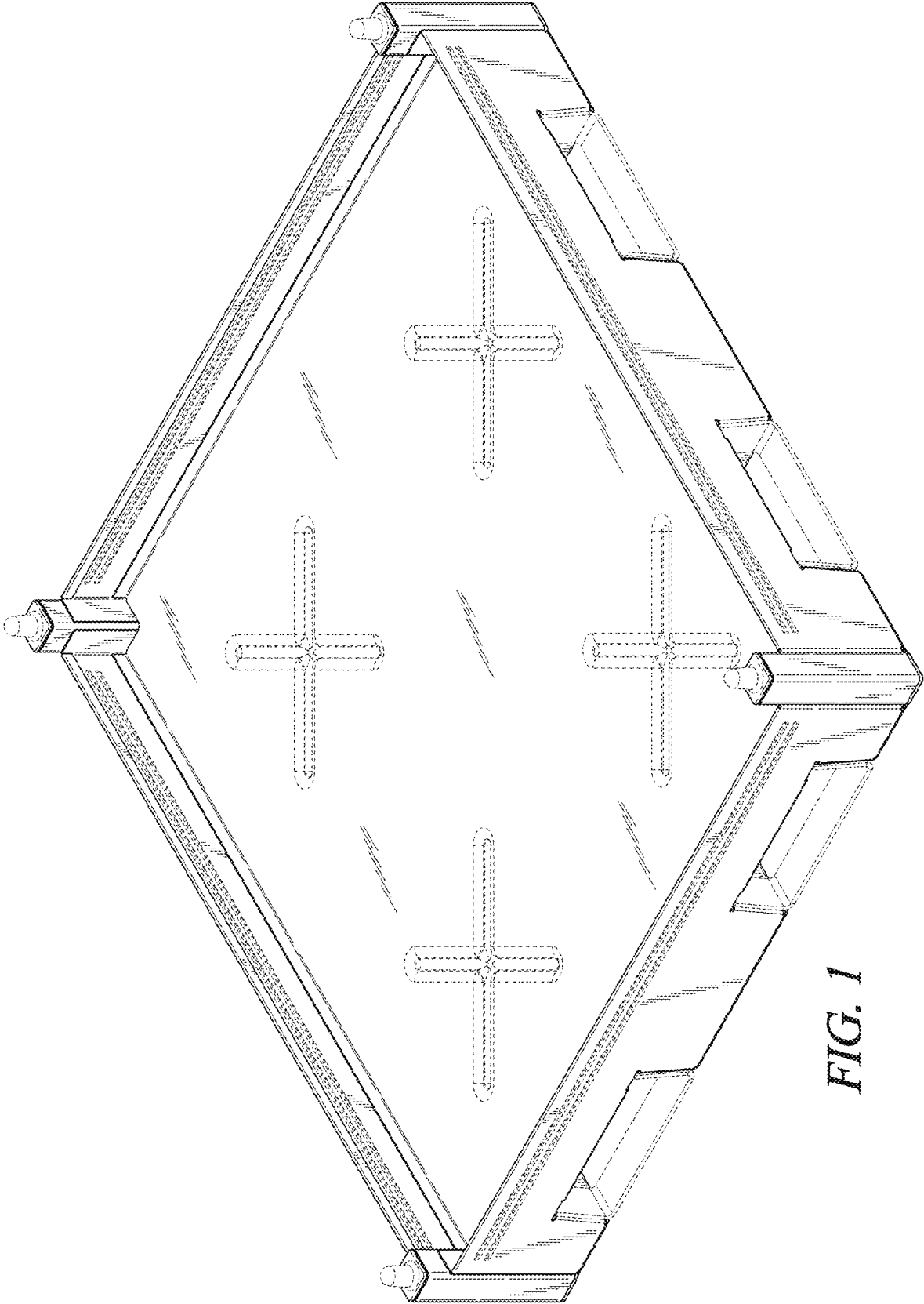


FIG. 1

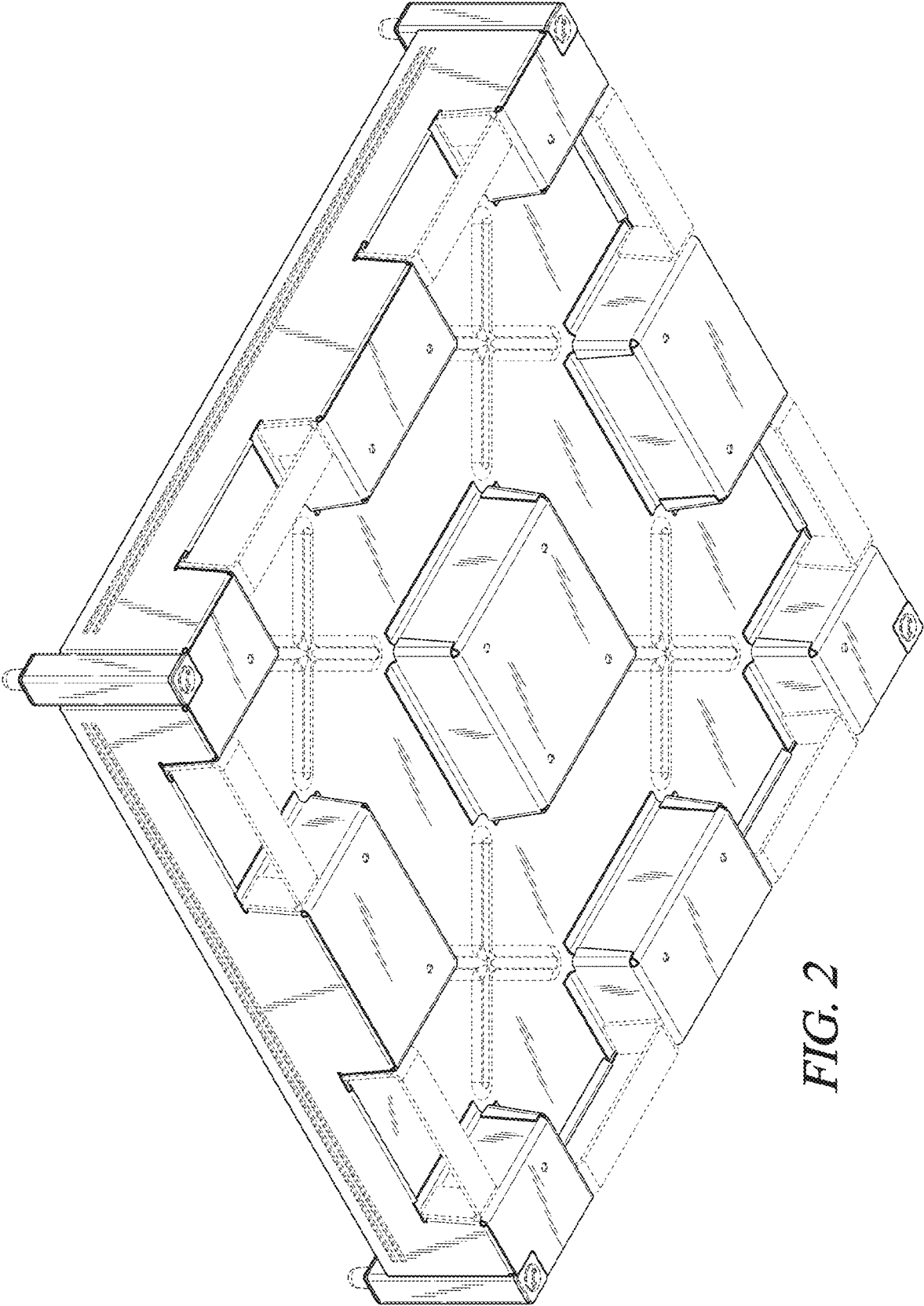


FIG. 2

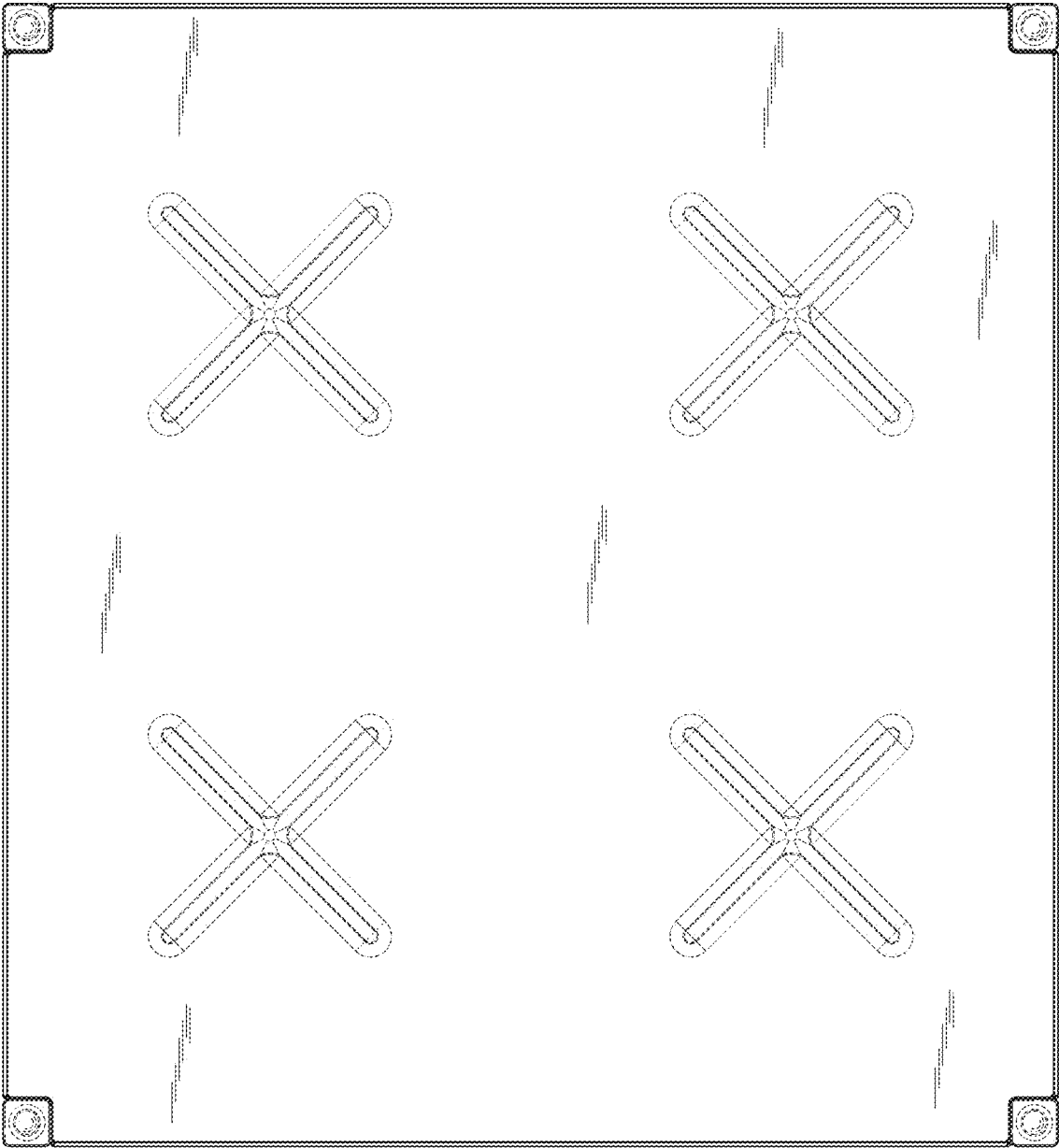


FIG. 3

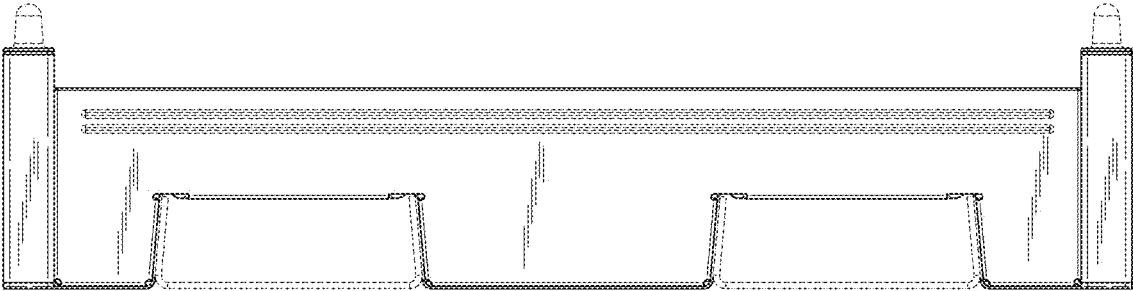


FIG. 4

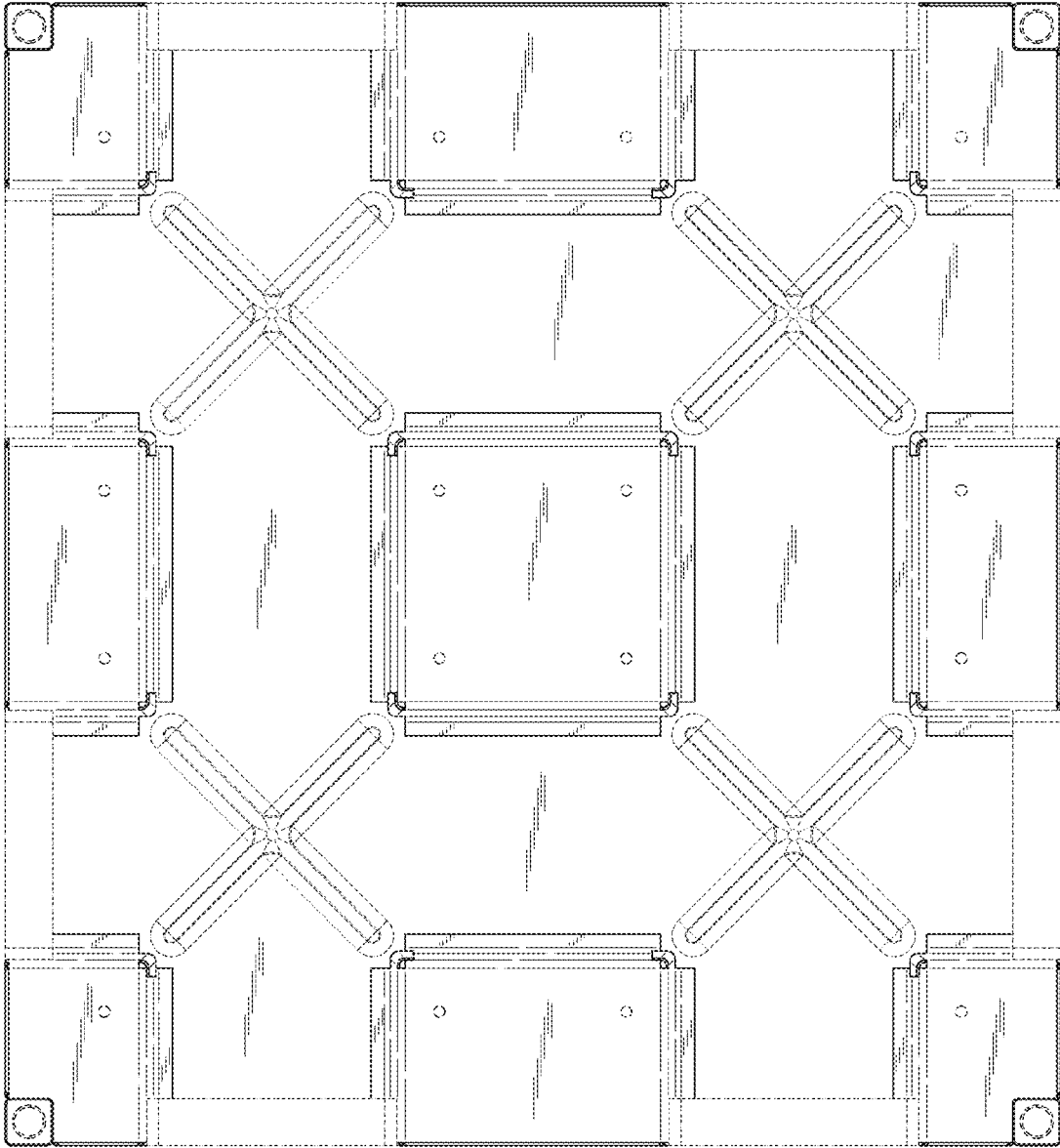


FIG. 5

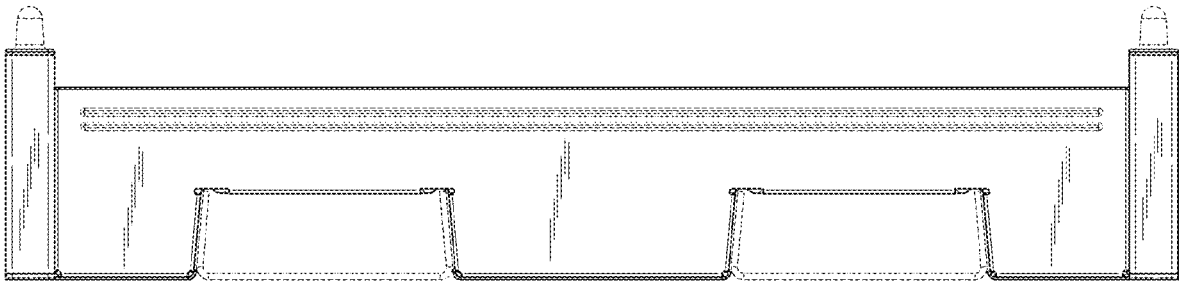


FIG. 6